

CTH3-A 450 T4 1,1KW ATEX Zone 2: FAN (Ex h IIB T3 Gc) + MOTOR (Ex ec IIC T3 Gc) (279450106AXN)

GENERAL DATA



ROOF FAN, AL COWL ATEX

MANUFACTURING FEATURES

- Roof cowl made of aluminium
- Structure, roof base support and bird protection guard made of galvanised steel.
- High efficiency backward impeller with self-cleaning system of steel.
- ATEX standard asynchronous motor. ATEX certified according to the zone. IP55 protection and class F insulation. Manufactured with standard voltages: 230/400V 50Hz for three phase motors up to 4kW and 400/690V 50Hz for higher powers.

APPLICATIONS

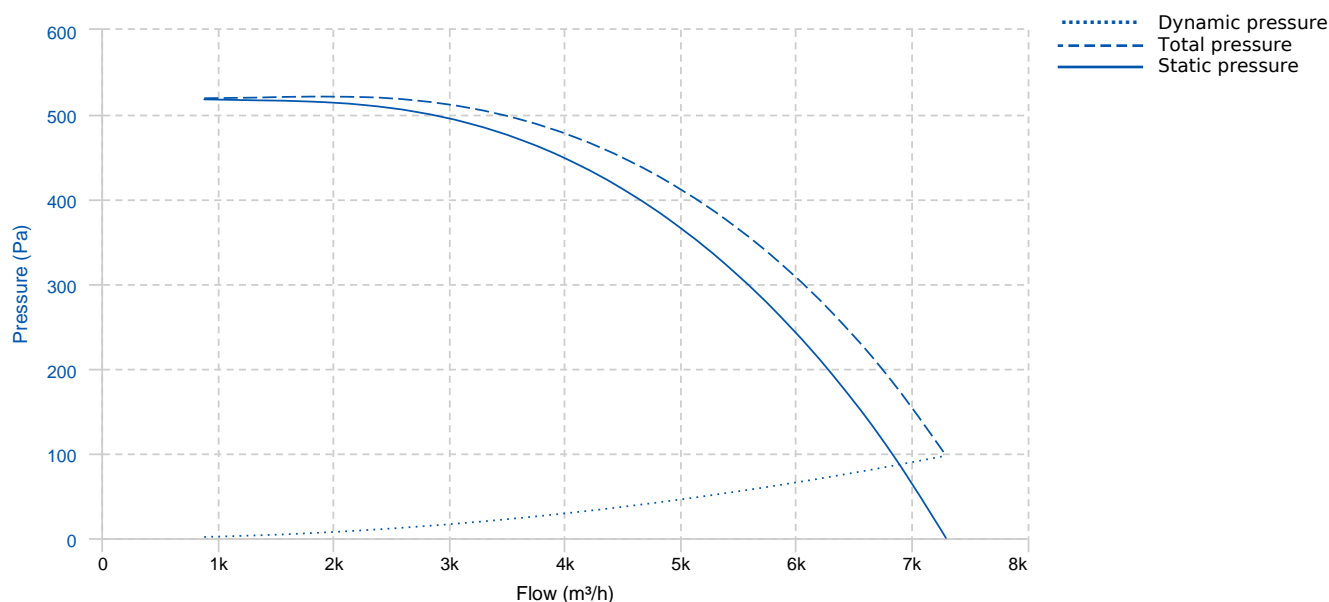
Ventilation in indoor environments classified as ATEX. Specially designed for roof installation, they are suitable for:

- Smoke extraction.
- Smoke emergency exhaust with motor outside the hazardous area.
- Air renewal in buildings and industries.
- Industrial and professional kitchen hoods.
- Working temperature: ambient from -20°C to 40°C, transported air according to the ATEX classification.

UNDER REQUEST

- 60Hz and special voltages.

PERFORMANCE CURVE



TECHNICAL DATA

Fan

RPM	1420	Approx. weight	76 kg	Max. Flow	7300 m³/h
-----	------	----------------	-------	-----------	-----------

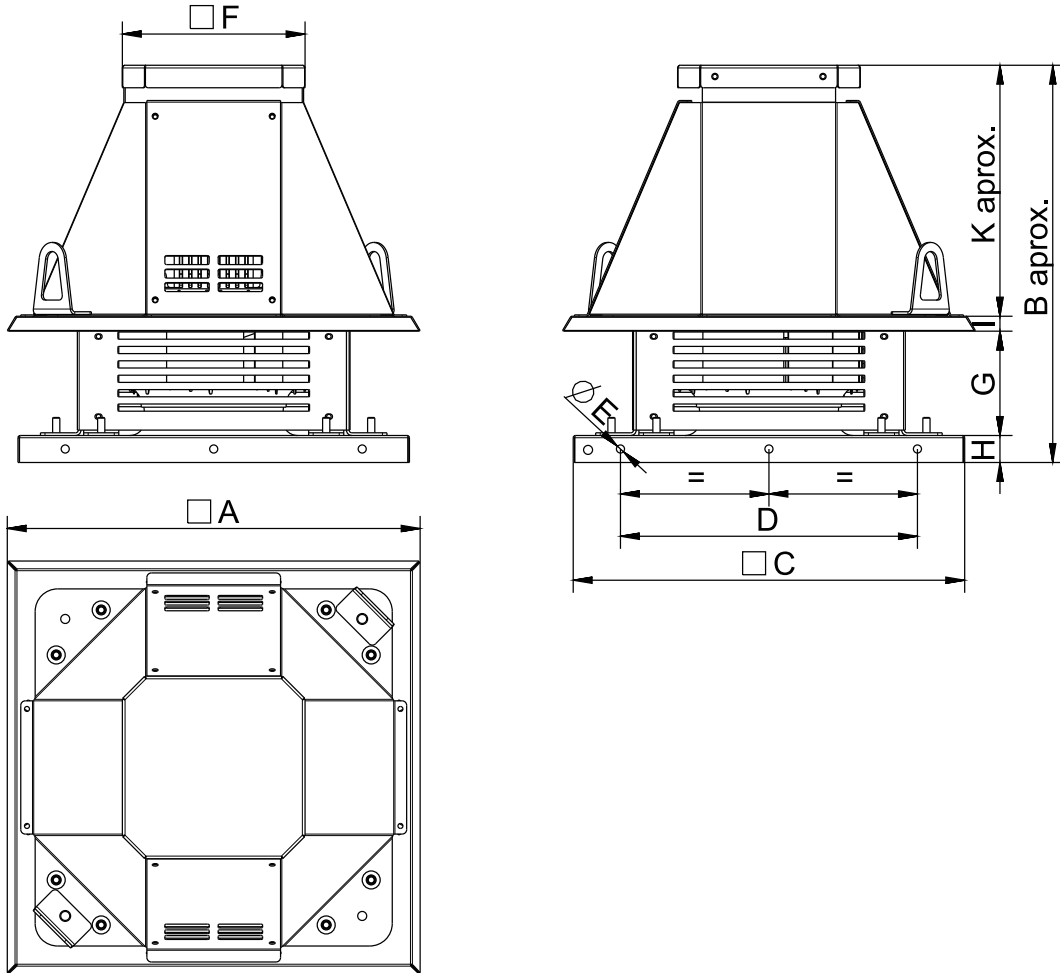
Motor

Power	1,1 kW	RPM	1420	I max. (400V)	3,3 A	Size	90L
-------	--------	-----	------	---------------	-------	------	-----

Motor

Approx. weight	12 kg	Efficiency (%)	71 %	FP	0.7
----------------	-------	----------------	------	----	-----

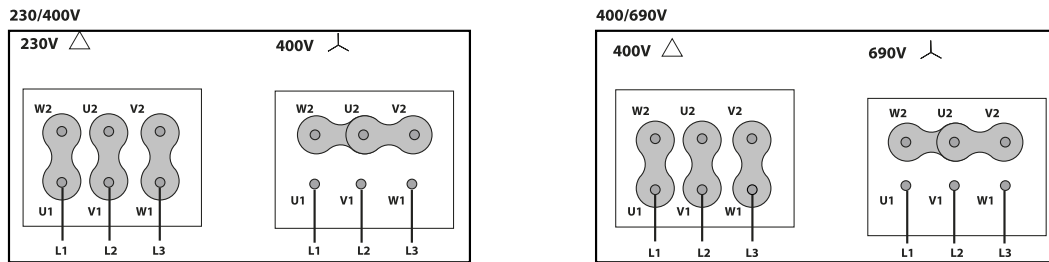
DIMENSIONS



Dimensions (mm)

A	774,6	B aprox	758,15	C	665	D	520	E	9
F	253	G	304,25	H	40	I	30,75	K aprox	383,15

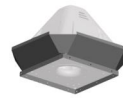
WIRING DIAGRAM



ACCESSORIES



SAFETY SWITCH
INT 25 3P A
REF: INT253PA



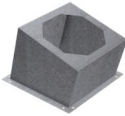
CTH3 VERTICAL DISCHARGE
KV CTH-3 355-400-450
REF: 960004730



ATEX SWITCH
INT 16 ATEX
REF: 510200016X

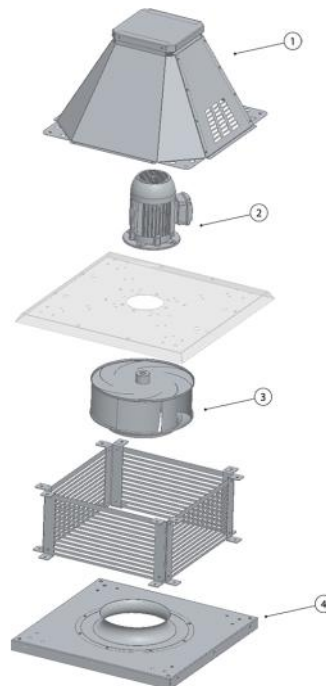


FREQUENCY SPEED CONTROLLER
SFC 400 III 3,6A *
REF: SFC400III4



INCLINED ROOF FAN SUPPORT
BTI 640
REF: A-50870640XX

SPARE PARTS





	Code	Model	Qty
1	R-279358491	ROOF COWL CTH3-A 355-400-450	x1
3	R-279459382	IMPELLER THRE R63B1 450X160x24 RD	x1